

Replacement Gaskets

Application:

- LBD bodies are installed at 90° bends in rigid conduit to:
- act as pull outlets for conductors that are stiff due to large size or type of insulation
 - make 90° bends in conduit system, allowing straight pull in either direction
 - provide for conduit service entrance to buildings
 - provide for conductor entrance to motors
 - provide access to wiring for maintenance and future expansion

Features:

- LBD bodies have:
- cover openings on an angle permitting conductors to be pulled straight thru hubs from either direction
 - domed covers to permit easy conductor bends (relieves strain on insulation)
 - cover and gasket furnished
 - taper tapped hubs with integral bushings

Standard Materials:

- Body and cover – *Feraloy*® iron alloy
- Gasket – Neoprene

Standard Finishes:

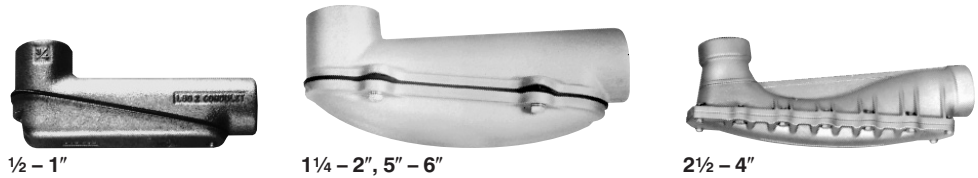
- *Feraloy* iron alloy: 1/2" to 4" sizes, electrogalvanized and aluminum acrylic paint; 5" and 6" sizes, zinc chromate primer and aluminum lacquer.
- Neoprene – natural

Options:

Description	Suffix to be Added to Cat. #
Material – All sizes, copper-free aluminum.....	SA

Certifications and Compliances:

- UL Standard: 514B
- Fed. Spec.: W-C-586d
- CSA 22.2 No. 18



LBD

Size	Cat. #	Size	Cat. #	Size	Cat. #
1/2	LBD1100	1 1/4	LBD4400	3 1/2	LBD9900
3/4	LBD2200	1 1/2	LBD5500	4	LBD10900
1	LBD3300	2	LBD6600	5	LBD012
		2 1/2	LBD7700	6	LBD014
		3	LBD8800		

Replacement Gaskets for Above Sizes

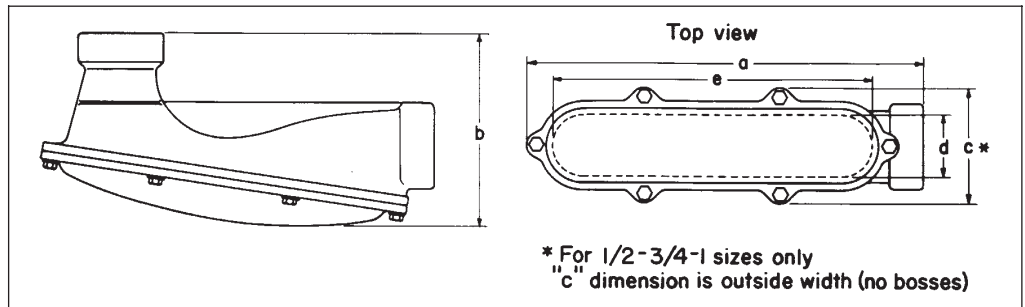
Rubber

Size	Cat. #	Size	Cat. #	Size	Cat. #
1/2	GASK680R	1 1/4	GASK683R	3 1/2	GASK989R
3/4	GASK681R	1 1/2	GASK684R	4	GASK989R
1	GASK682R	2	GASK684R	5	GASK687R
		2 1/2	GASK990R	6	GASK688R
		3	GASK990R		

Replacement Cover Assembly with Hardware

Size	Cat. #	Size	Cat. #	Size	Cat. #
1/2	LBD100	1 1/4	LBD400	3	LBD800
3/4	LBD200	1 1/2	LBD600	3 1/2	LBD900
1	LBD300	2	LBD600	4	LBD900
		2 1/2	LBD800	5	LBD120
				6	LBD140

Dimensions



Cat. #	Size	a	b	c	d	e
LBD1100	1/2	5	2 5/16	1 5/16	1	3 11/32
LBD2200	3/4	6 1/4	2 5/8	1 9/16	1 1/4	4 17/32
LBD3300	1	6 1/4	2 15/16	1 13/16	1 1/2	4 11/32
LBD4400	1 1/4	8 5/8	4 1/4	3 1/2	1 13/16	7 3/16
LBD5500	1 1/2	12 7/16	5 7/16	4 5/8	2 5/8	10 7/8
LBD6600	2	12 7/16	5 7/16	4 5/8	2 5/8	10 7/8
LBD7700	2 1/2	19 1 1/16	9 9/16	5 5/8	3	15 3/4
LBD8800	3	19 1 1/16	9 9/16	5 5/8	3	15 3/4
LBD9900 (iron)	3 1/2	20 7/8	10 7/8	7 3/4	4 3/4	19 7/8
LBD10900 (iron)	4	20 7/8	10 7/8	7 3/4	4 3/4	19 7/8
LBD9900 (-SA)	3 1/2	27 13/16	11 7/8	7 1/8	4	24
LBD10900 (-SA)	4	27 13/16	11 7/8	7 1/8	4	24
LBD012	5	32 7/16	12 1/2	8 5/8	5 7/8	30
LBD014	6	41 1/2	15	9 3/4	7	39